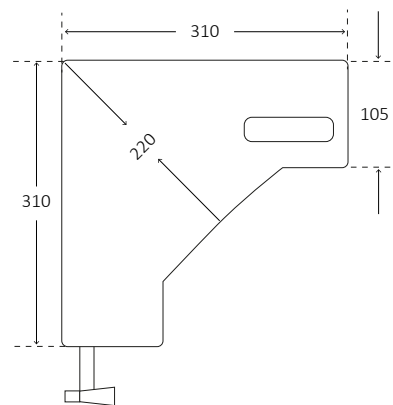
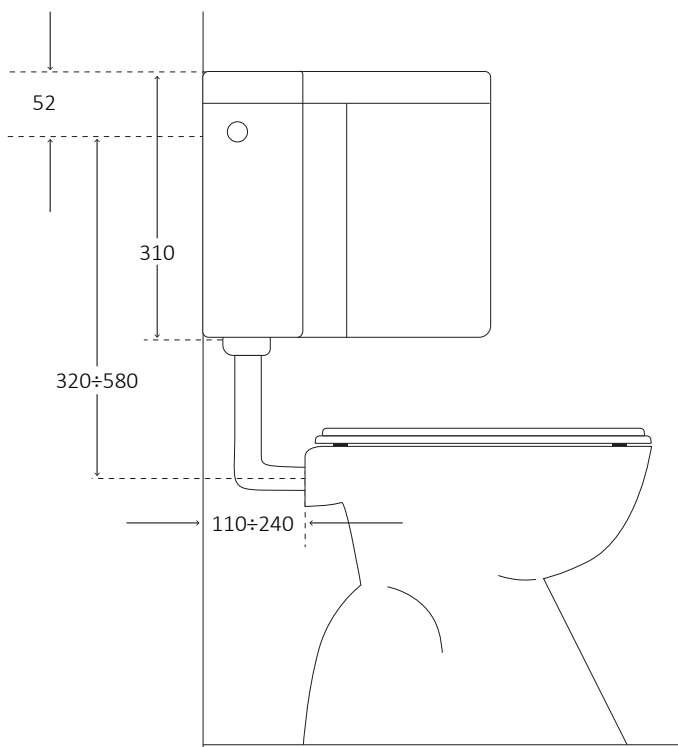


Angolo

Art. 1050



Utilizare

Instalare pe perete, la semi-inaltime

Caracteristici

Izolant anticondens si fonic
 Robinet flotor 3/8" compact, rapid si silentios
 Racordarea la sursa de apa: stanga sau dreapta
 Buton cu actionare start-stop, pentru economie de apa
 Corp din ABS tratat anti-imbatrănire

Informatii tehnice

Material:	ABS
Capacitate:	8,5 litri
Volum de apa reglabil:	6 - 8,5 litri
Setare standard a cantitatii de umplere:	8 litri
Durata de umplere (7 l) cu presiune dinamica de 3 bar:	73 sec
Model vas wc:	pe pardoseala
Actionare:	mecanica
Conform normelor CE:	UNI EN 14055 : 2011

Continut pachet

Robinet flotor compact 3/8", stut din alama
 Mecanism wc cu piulita si contrapiulita
 Garnitura
 Tija pentru descarcare totala
 Teava scurgere ø 50x40 pentru rezervor wc la semi-inaltime
 Kit de fixare

Articole

1050 Angolo descarcare start/stop, alb

Field of application

External installation for medium level installation

Features

Anti-condensate and soundproofing insulation
 3/8" compact floating valve, safe, quick and silent
 Water connection right or left
 Single button with water-saving start/stop
 ABS body with anti-age treatment

Technical informations

Material :	ABS
Capacity :	8,5 litres
Adjustable rinsing volume :	6 - 8,5 litres
Standard setting of filling quantity:	7,5 litres
Filling duration (7 l) with a dynamic pressure of 3 bar	73 sec
Type of wc:	at floor
Type of drive :	mechanical
Comply with CE standard :	UNI EN 14055 : 2011

Equipment

3/8" compact floating valve, with brass tang
 Outlet valve with nut and back nut
 Outlet valve gasket
 Lever for total flush
 Outlet pipe ø 50x40 for external medium level cistern
 Wall fixing kit

Items

1050 Angolo start/stop flush, white